



LEDOX



LED COMMERCIAL & HOTEL DOWNLIGHT

Focus Makes Profession

2015.07



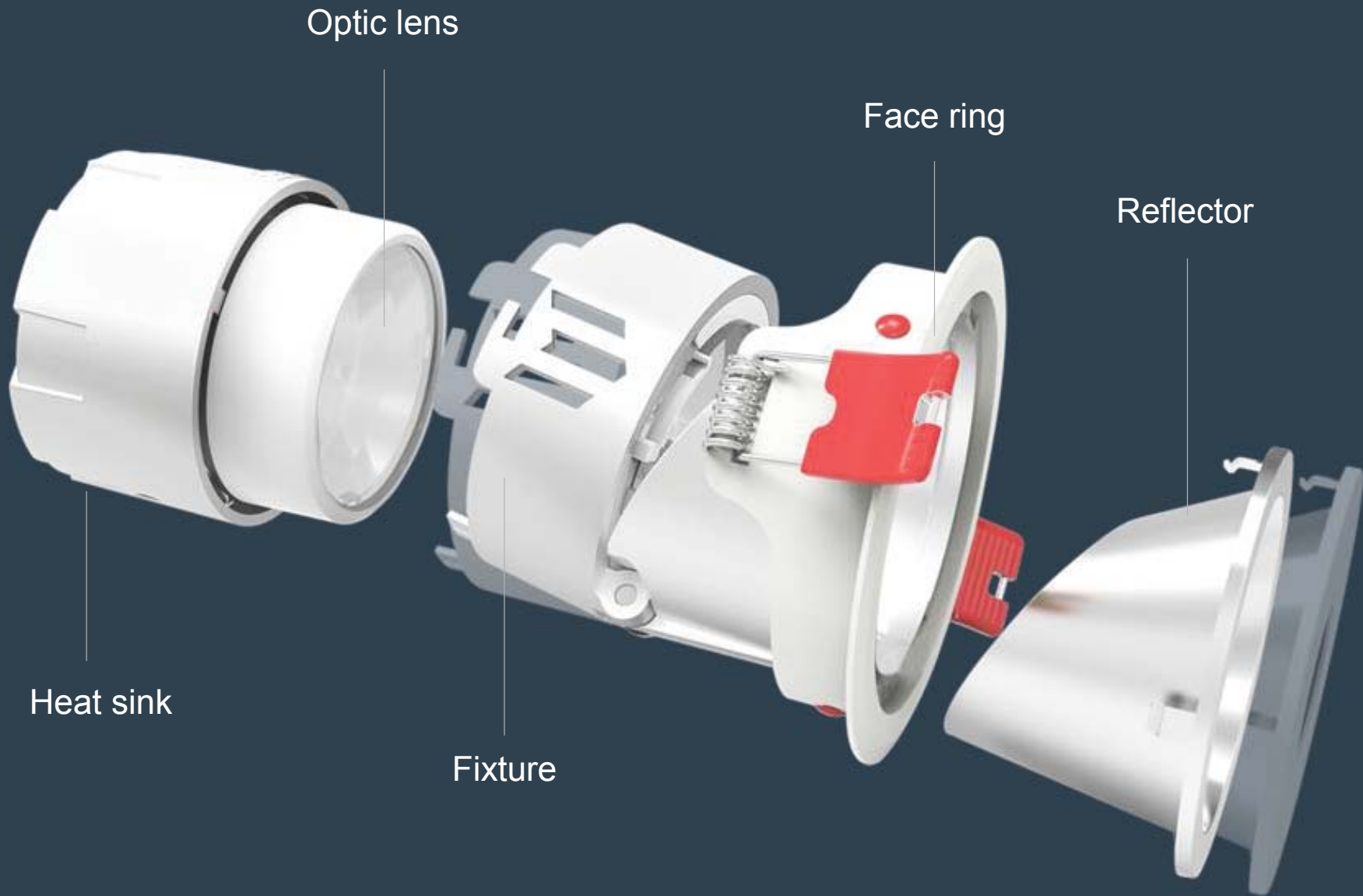
LED DOWNLIGHT

- Power 10W / 15W / 20W / 25W / 30W/35W
- LED CREE COB
- Beam angle 12 ° ~ 38°
- Cut hole: 75/95/125/150/175mm
- CRI: > 90

POSITIONING

- Innovative & Patented
- Unique appearance design
- Arbitrary combinations, easy exchange
- High-end OEM/ODM available
- 3-5 years warranty



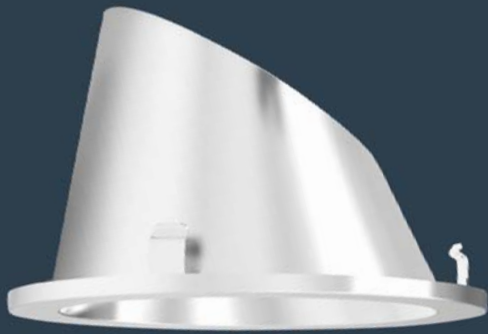




Product Advantages

Module structure to change components easily

- Zero inventory pressure
- More design options



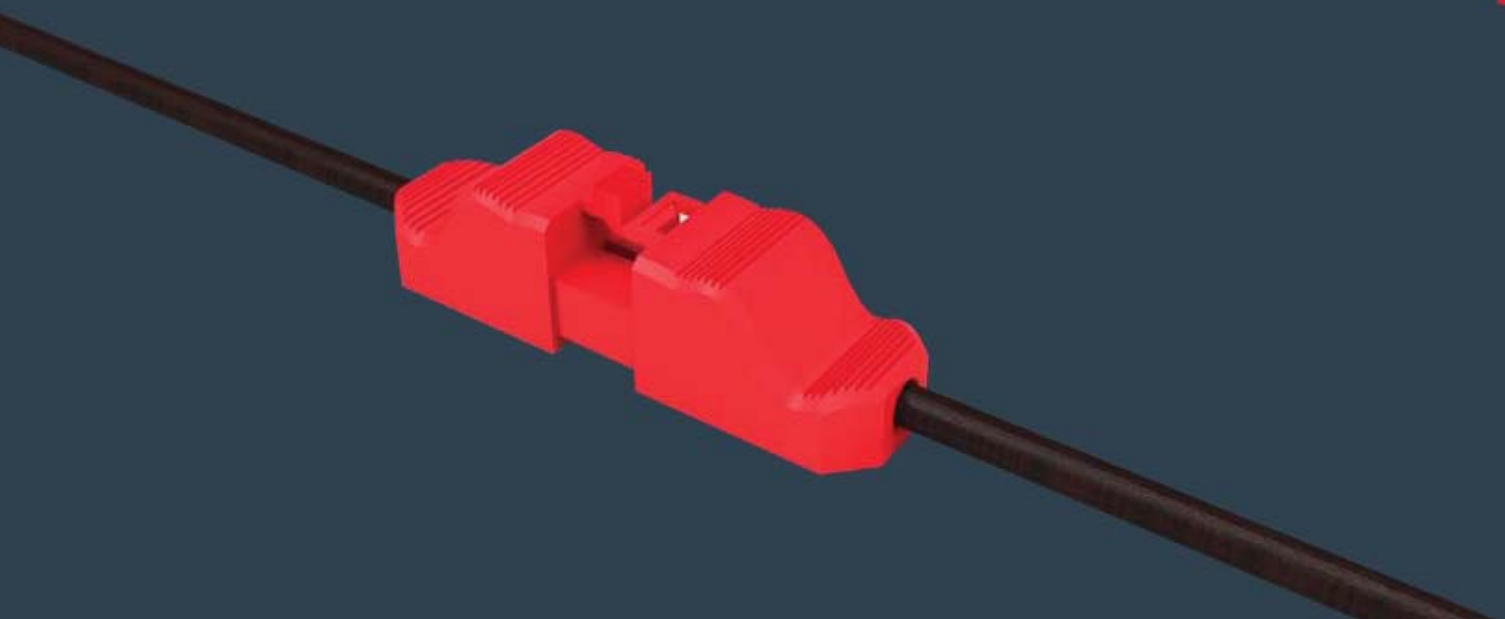
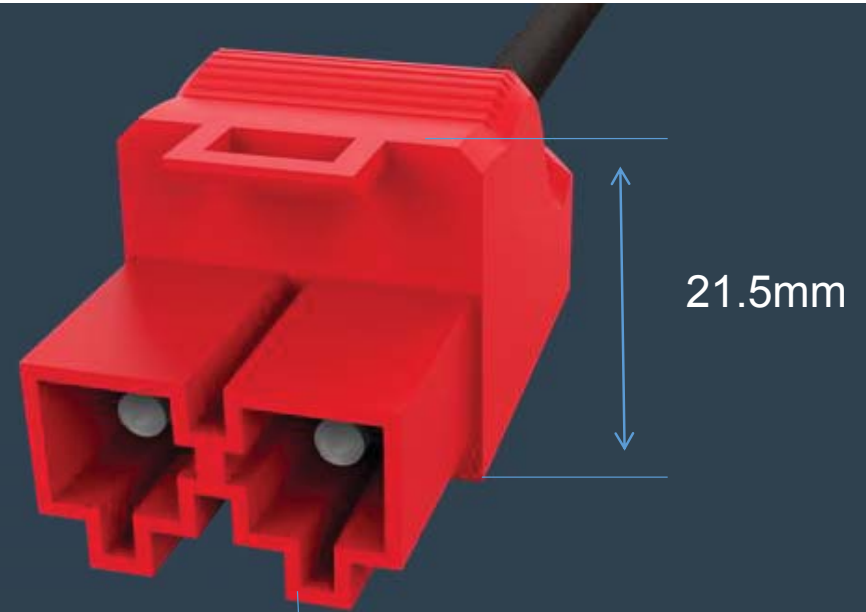
360 ° adjustable angle

Smooth and freely



Independent R&D DC terminals

Firm, Stable and Safety



CREE COB

- ❑ CRI>90
- ❑ Up to 80lm/W
- ❑ Brand reputation
- ❑ Stable performance
- ❑ Partner of Cree, Inc. – Better support



Changeable Beam angle

From 12° ~ 38°



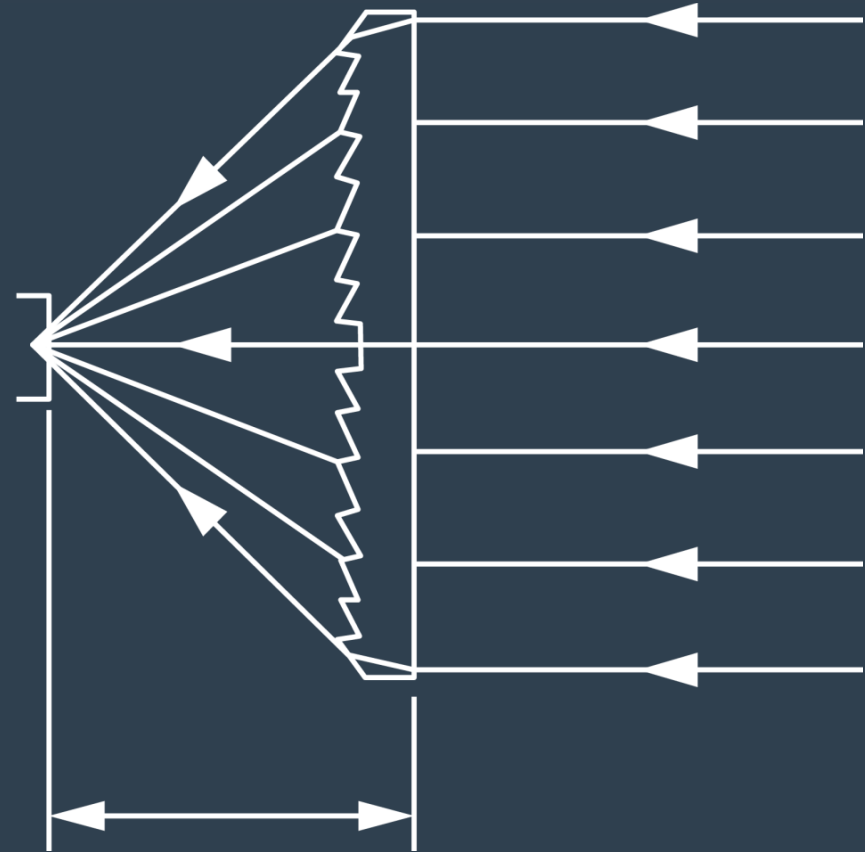
Top End Fresnel Lens



Normal optic design in market

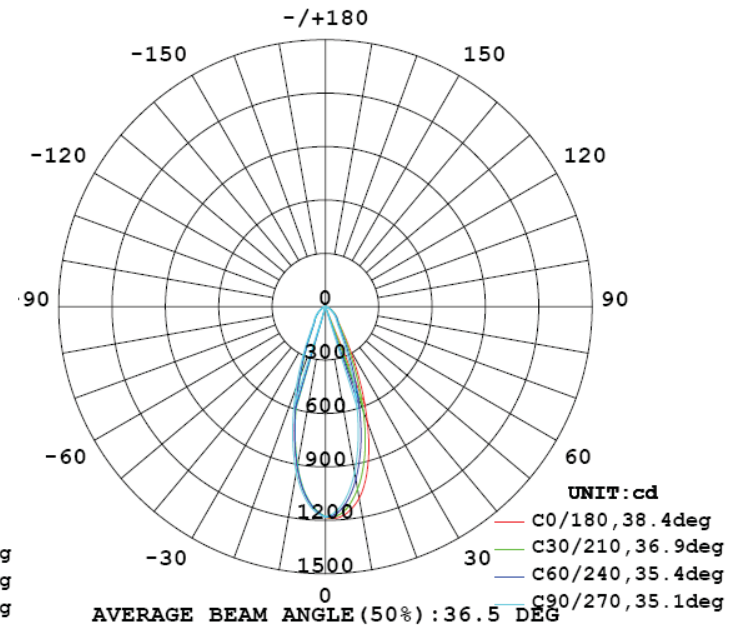
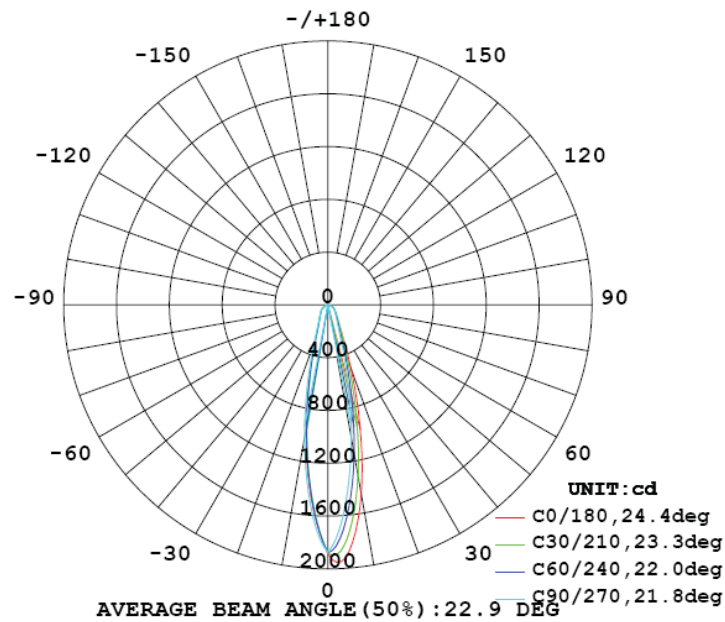
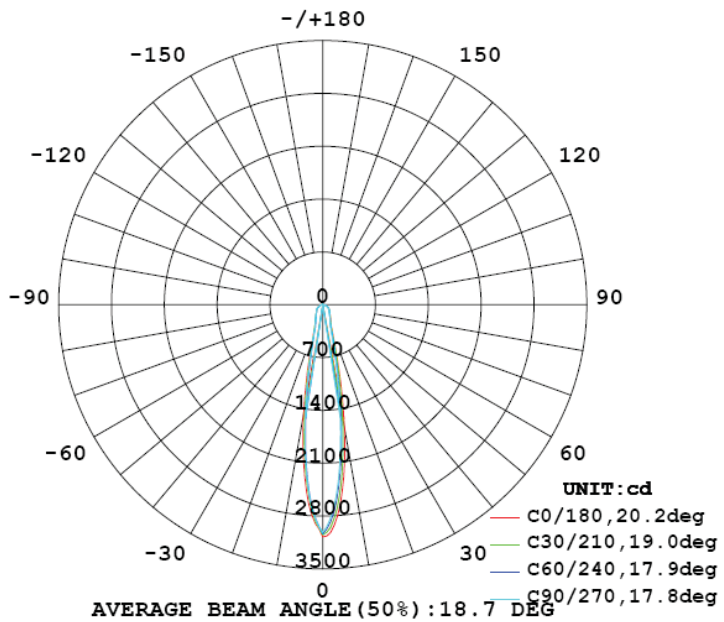


Special Fresnel optic solution



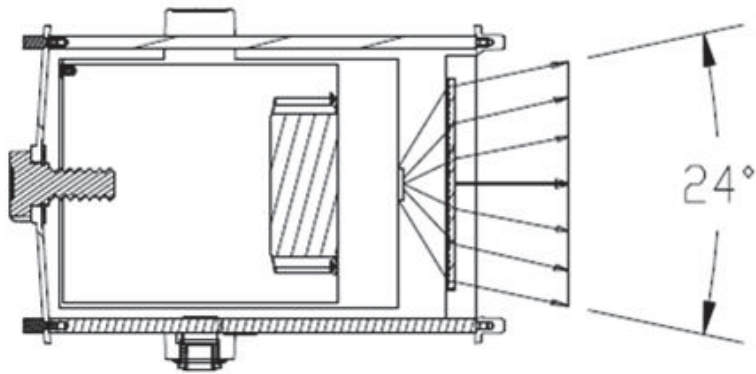
When adjust angle, light decrease <5%

(normal decrease is 20-50%)

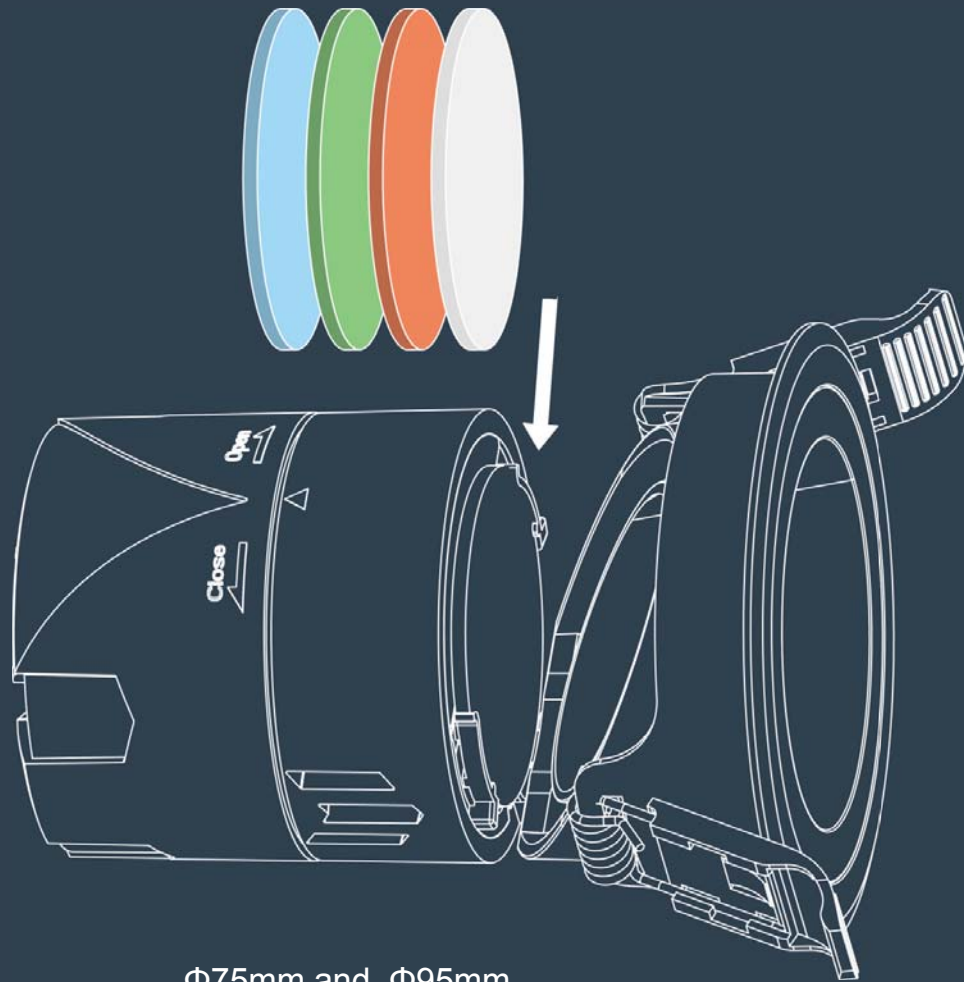


Perfect light distribution

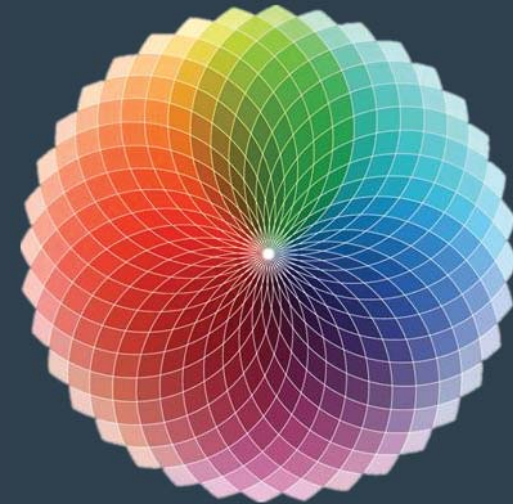
Very focus light, uniform space distribution



Flexible filter disc to change light color

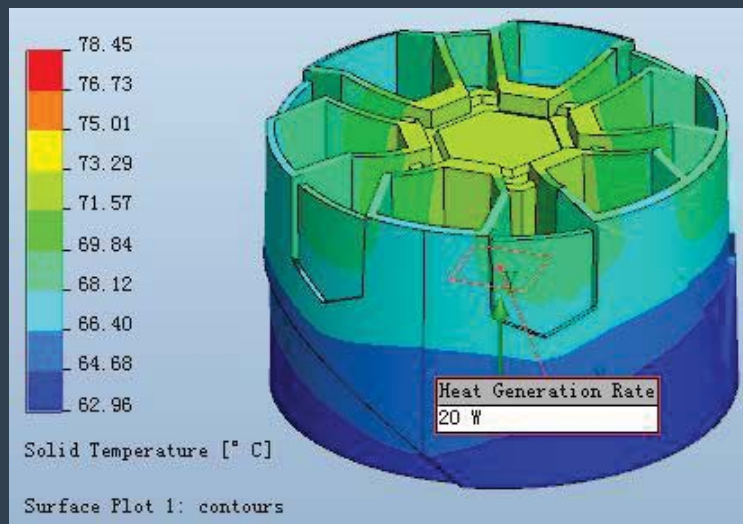


Φ75mm and Φ95mm



Pure Aluminum Alloy

Better heat sinking
& metallic flavor



Driver

Unique Matching

- UL, RoHS, CE certification
- 5 years warranty



Dimmable & Non-dimmable

Available...



(0 – 10V available)

TRIDONIC



A decorative, ornate frame with intricate scrollwork and floral patterns, rendered in a light gray color. The frame is centered on the page and surrounds the text.

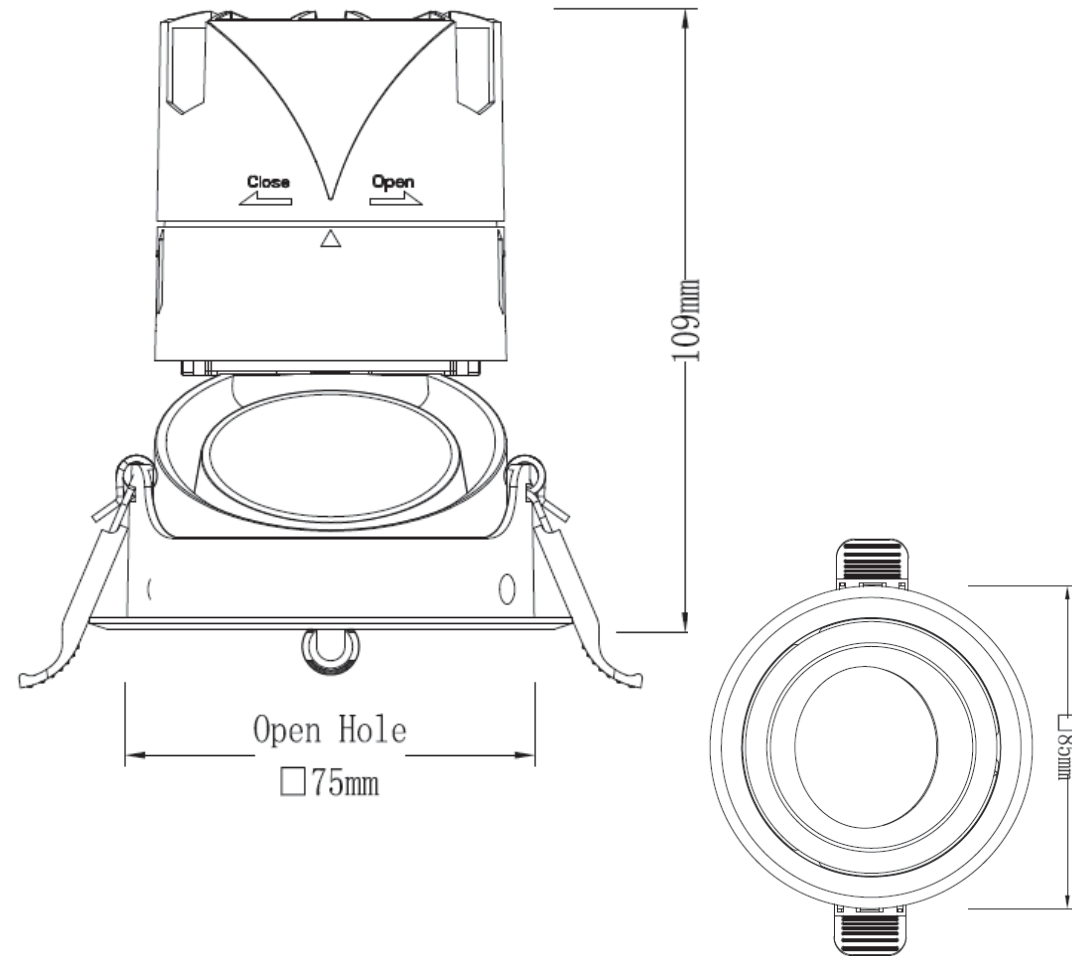
Specifications

10W

Power: 15±5%W
Input Voltage: AC100-240V
Current: 220mA
PF: 0.9

Photo Parameters

CCT	2700/3000K	4000K	5000K
Lumen	650±10%	680±10%	720±10%
CRI	>90	>90	>90
Efficacy	65lm/w	68lm/w	72lm/w

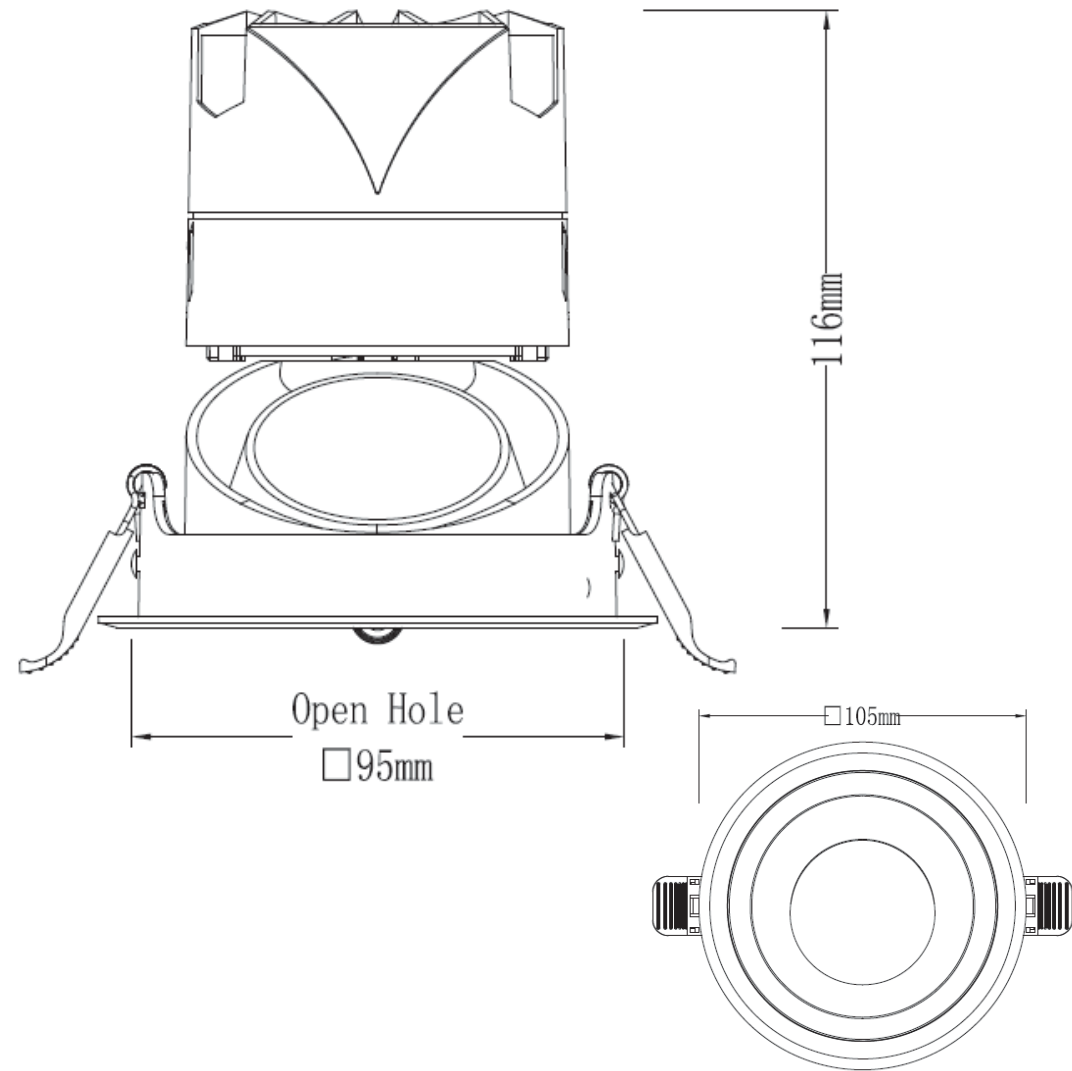


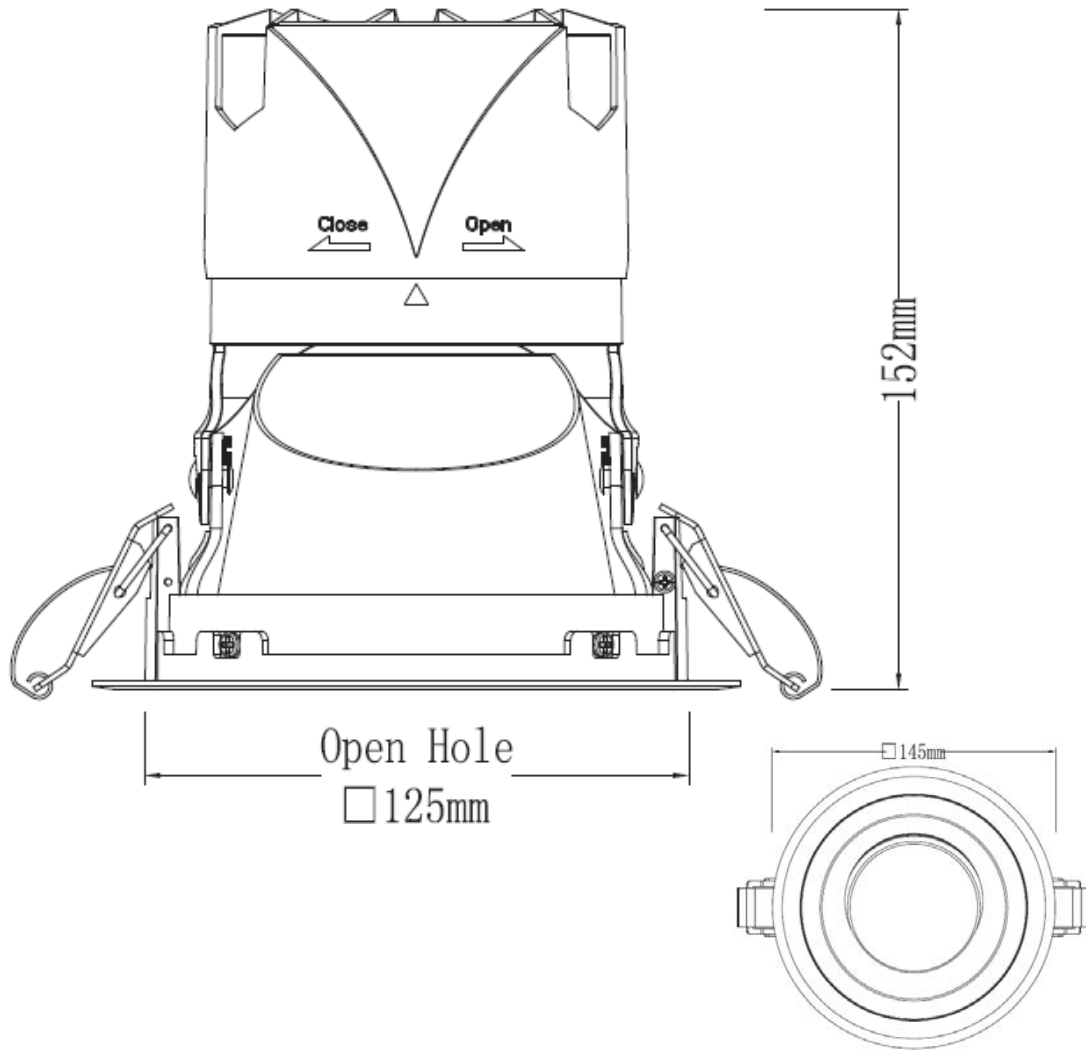
15W

Power: 15±5%W
Input Voltage: AC100-240V
Current: 350mA
PF: 0.9

Photo Parameters

CCT	2700/3000K	4000K	5000K
Lumen	1000±10%	1050±10%	1100±10%
CRI	>90	>90	>90
Efficacy	68lm/w	70lm/w	74lm/w





20W

Power:	25±5%W
Input Voltage:	AC100-240V
Current:	500mA
PF:	0.9

Photo Parameters

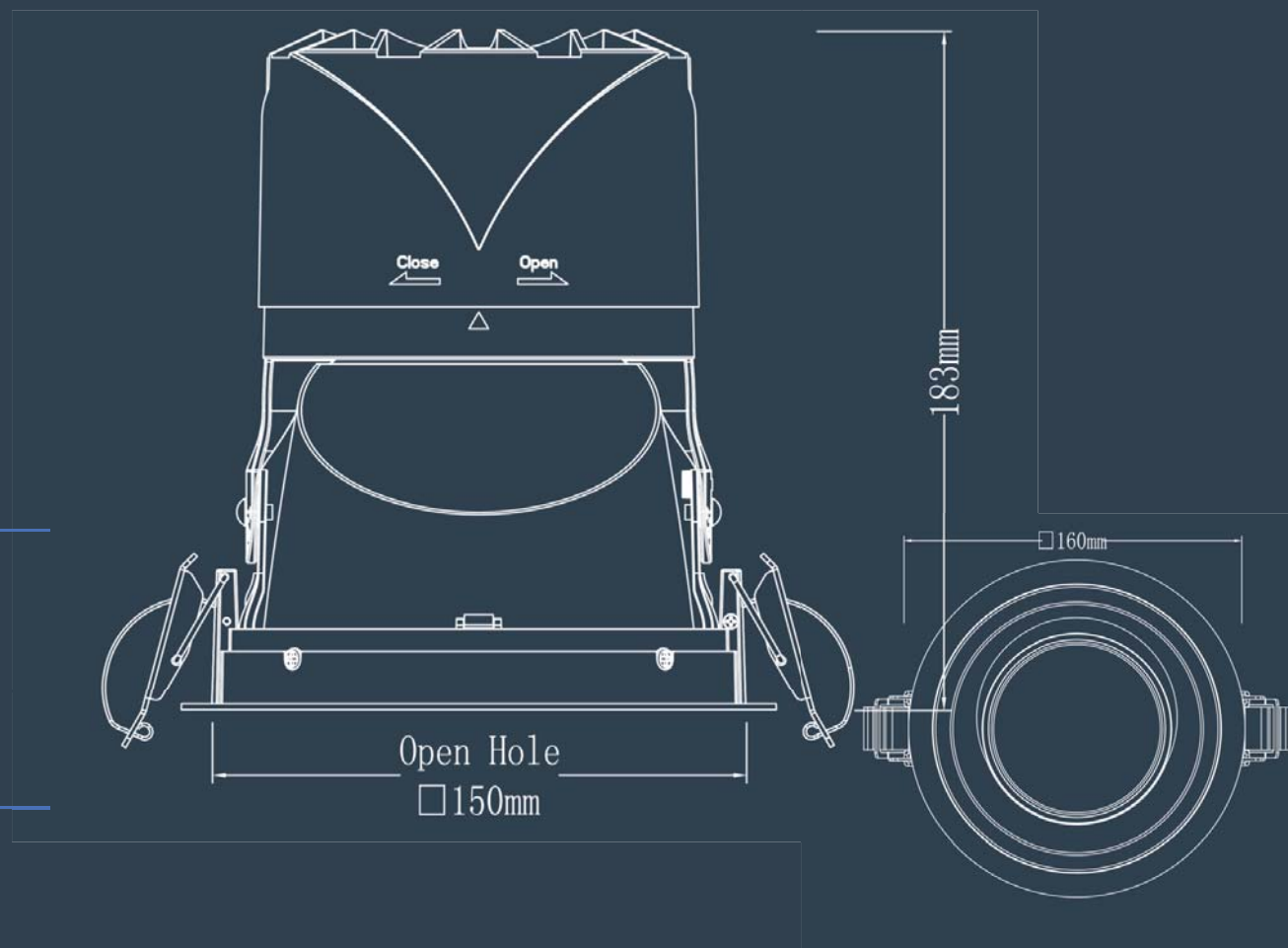
CCT	2700/3000K	4000K	5000K
Lumen	1450±10%	1500±10%	1700±10%
CRI	>90	>90	>90
Efficacy	73lm/w	75lm/w	83lm/w

30W

Power: $30 \pm 5\%W$
Input Voltage: AC100-240V
Current: 700mA
PF: 0.9

Photo Parameters

CCT	2700/3000K	4000K	5000K
Lumen	$2100 \pm 10\%$	$2200 \pm 10\%$	$2300 \pm 10\%$
CRI	>90	>90	>90
Efficacy	70lm/w	74lm/w	78lm/w

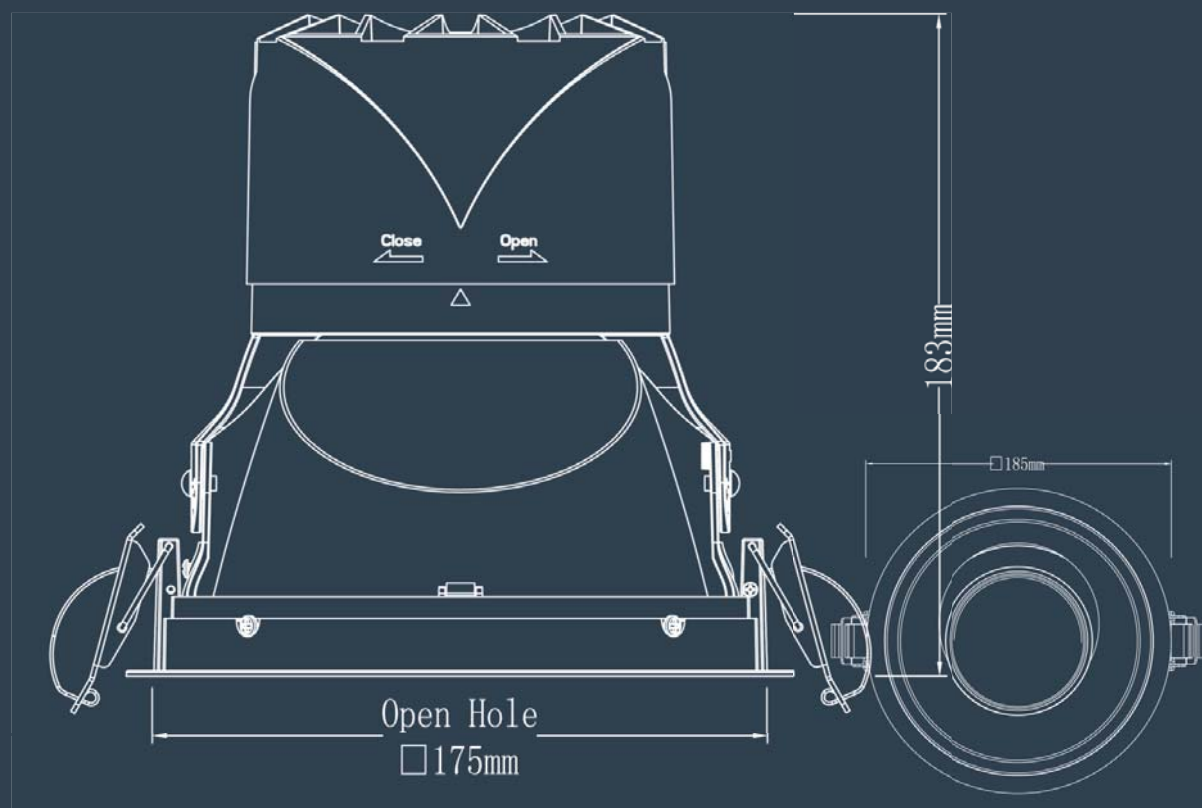


35W

Power: 35±5%W
Input Voltage: AC100-240V
Current: 740mA
PF: 0.9

Photo Parameters

CCT	2700/3000K	4000K	5000K
Lumen	2300±10%	2400±10%	2500±10%
CRI	>90	>90	>90
Efficacy	66lm/w	68lm/w	72lm/w



Full range of products



Φ75mm
10W/15W



Φ 95mm
15W/20W



Φ 125mm
15W/20W/25W



Φ 150mm
20W/25W/30W



Φ 175mm
25W/30W/35W

Different Reflector

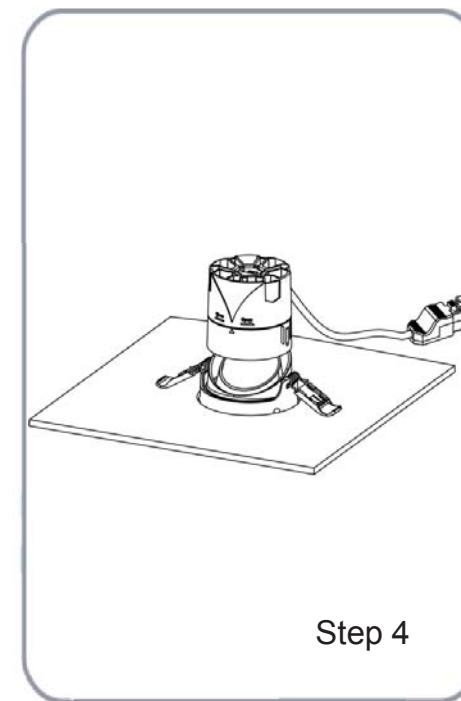
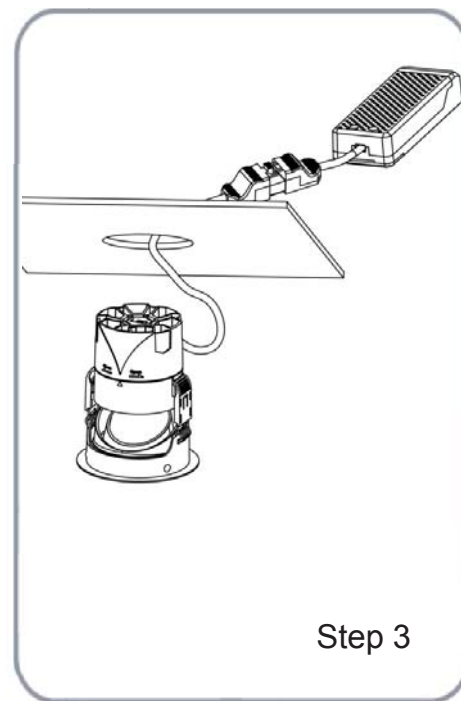
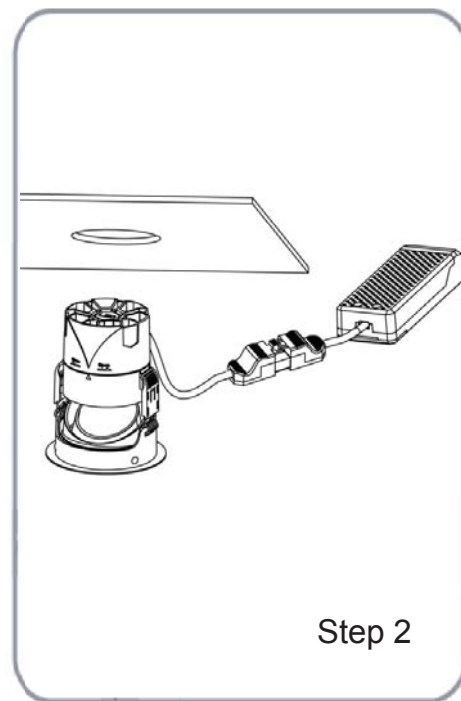
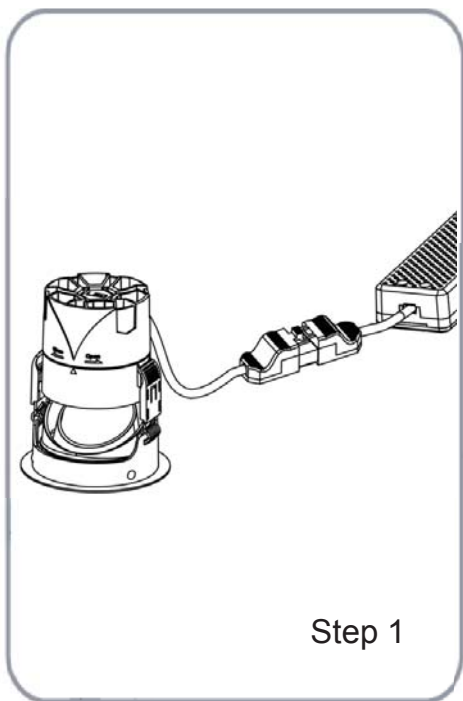
White | Shiny | Black



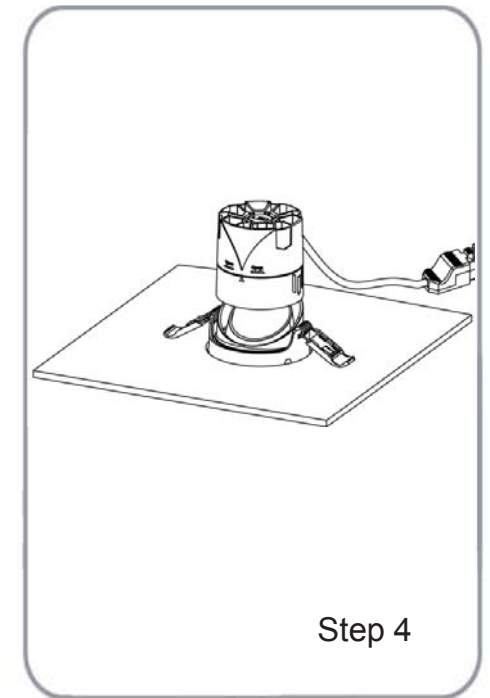
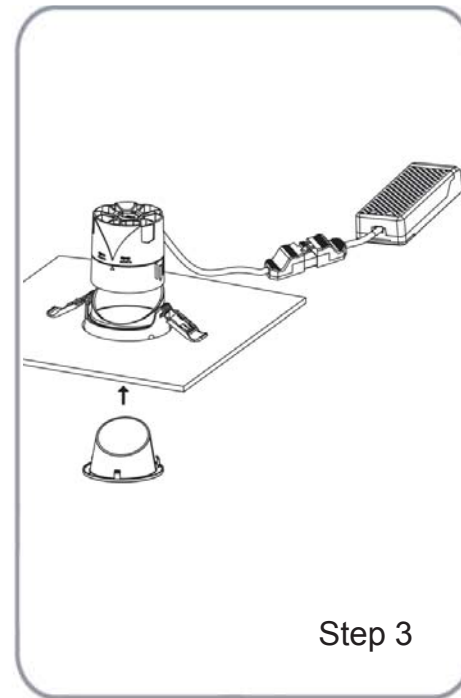
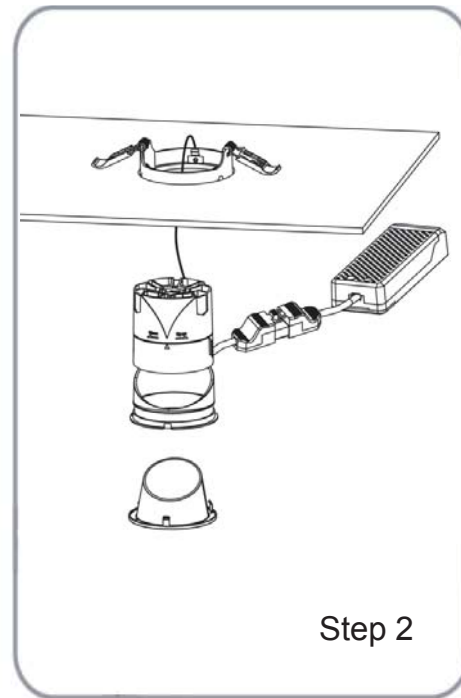
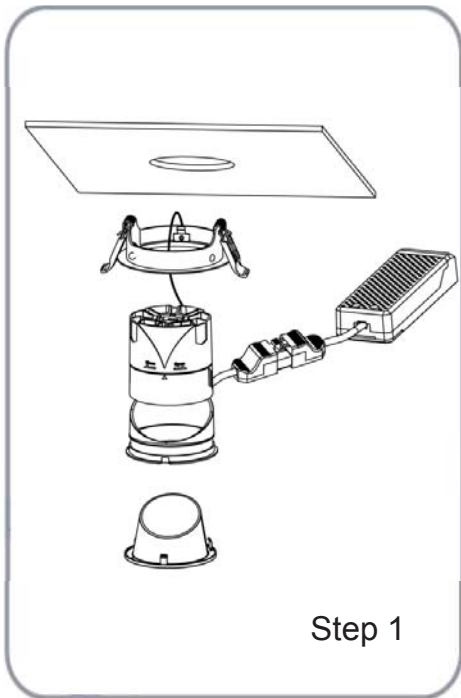


Installations

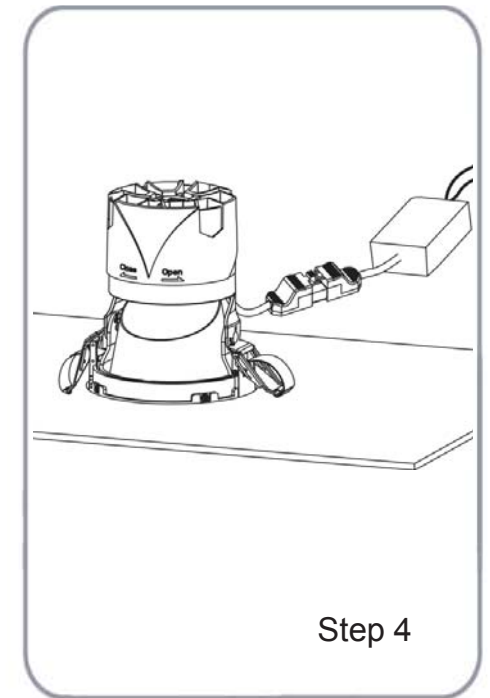
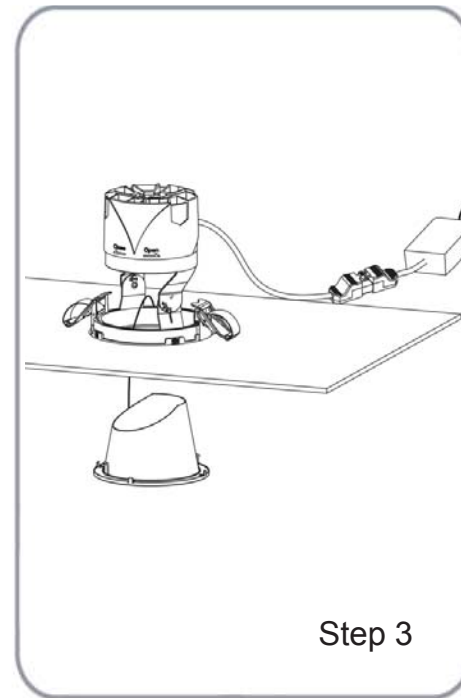
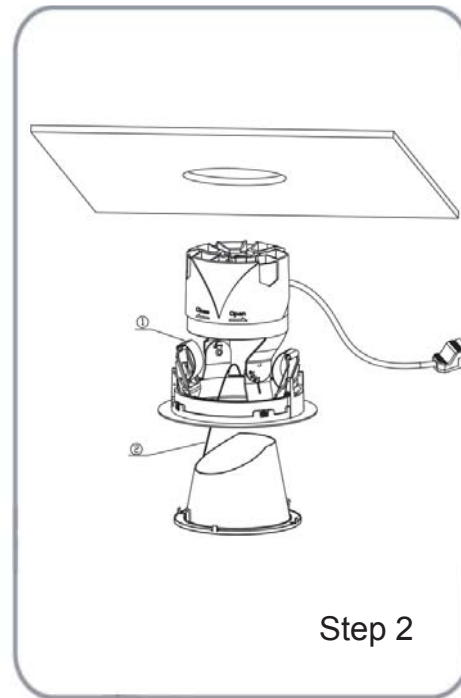
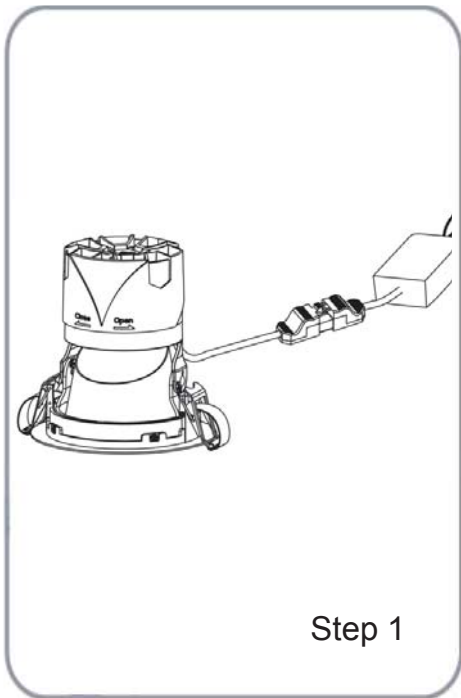
Φ 75-95mm | Installation Method 1



Φ 75-95mm | Installation Method 2



Φ 125-170mm | Installation Method





Applications



Restaurant

Light Source	LED 2500 lm
Room Size	70'Lx20'Wx10'H
Spacing	8' o.c.
Light Level	20 fc
Energy Density	0.90W/ft ²
Ceiling Uniformity	1.94:1
Luminaire Efficacy	102 lm/W



▶ Café Bar

Light Source	LED 2500 lm
Room Size	300'Lx5'Wx10'H
Spacing	4' o.c.
Light Level	15 fc
Energy Density	0.70W/ft ²
Ceiling Uniformity	1.94:1
Luminaire Efficacy	102 lm/W





Hotel

Design for success

Light Source	LED 2500 lm
Room Size	48'Lx26'Wx10'H
Spacing	6' o.c.
Light Level	20 fc
Energy Density	0.80W/ft ²
Ceiling Uniformity	1.94:1
Luminaire Efficacy	102 lm/W



▶ Room

Light Source	LED 1500 lm
Room Size	25'Lx16'Wx8'H
Spacing	6' o.c.
Light Level	15 fc
Energy Density	0.80W/ft ²
Ceiling Uniformity	1.94:1
Luminaire Efficacy	102 lm/W

Thank You!

