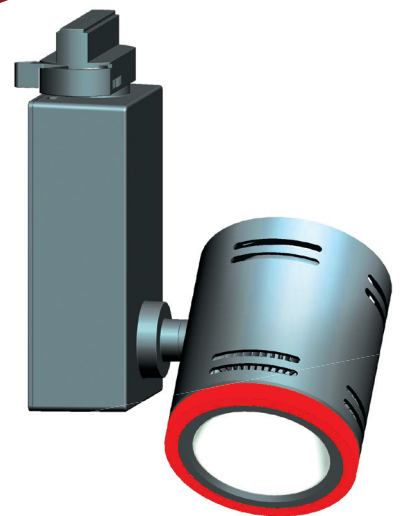




RAIL

an "environmental protection, energy saving and high efficiency" solution



"Rail" tracklight applied the latest Philips LED module, with simple and perfect appearance, environmental friendly. It delivers an extremely high energy efficient, low maintenance ratio, consistent light output, high lumen output with over Ra 85, and brilliant light quality.

"Rail" offer difference options for more flexibility to the architects and designers.

Energy saving

Applied with Philips SLM LED module. Rail helps you save on your energy bills by providing up to 60% energy saving comparing to conventional halogen, and CDM. Perfect replacement for 50W, 100W Halogen, 70W CDM.

Low maintenance ratio

50,000 hours life time with 70% lumen maintenance (B50L70), making it a true "fit & forget" solution. Thanks to the Philips approved aluminum passive / active heatsink. High lumen maintenance comparing to Halogen and CDM.

Light Quality

Features the latest LED phosphor technology, delivery consistent light output, stable color temperature performance and high color rendering (Ra > 85). UV and IR free protect from color distortion of merchandise, and Paint.

Cool light beam

Providing extra savings on the air-conditioning, reducing the loading of air conditioner to achieve more energy savings.

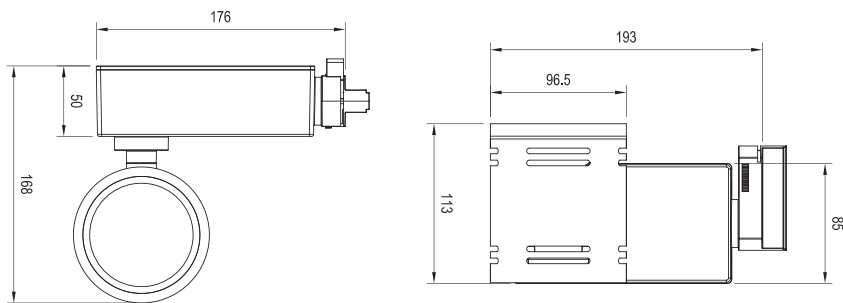
Application

Perfect replacement for Halogen / CDM tracklight in shop.

- Retail Shop Lighting
- Hotel Lighting
- Ambient Lighting
- Gallery
- Museum
- Jewelry shop

Specifications

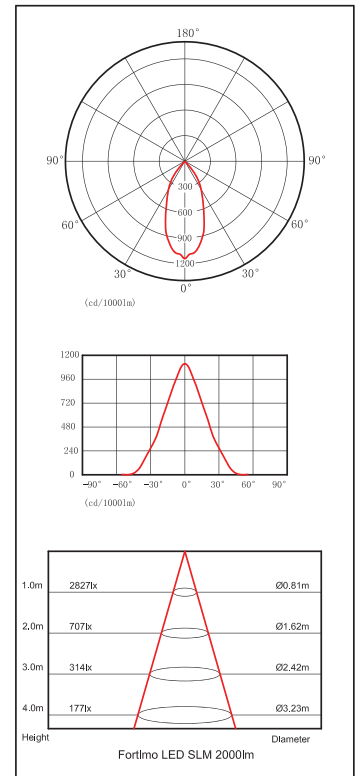
Light Source	SLM
CRI	> 80
Color Temp	3000, 3500, 4000
Power consumption	32W
System efficacy	63lm/W
Power factor	> 0.90
Voltage	220-240V
Driver	Remoted
Material	Housing: Extruded Aluminum Reflector: Aluminum Heatsink: Aluminum Extrusion (Active) Front rim: Aluminum
Installation	Track Mount
Operating Temperature	-20C < Ta < 40C
Ambient temperature for max. performance	25C
Lifetime	50k hours (70% lumen maintenance at Ta = 25C)
Dimming	Dali / Training Edge
Reflective Ratio	>90
Certificate	EN 60598, EN 55015:2006-12;A12007-05, EN 61547:1995-09;A12000-08, EN 61547:1995-10;A1 2000-12, IEC 61000-3-2;2005-11, EN 61000-3-2;2006-04, IEC 61000-3-3;1994-12 A1 2005-08, EN 61000-3-3;1995-01, IEC 62031:2008 LED module for general lighting-Safety specification, IEC 62471 Photo-biological safety, IEC 62384:2006 DC/AC applied electronic control gear for LED module performance, ROHS



Remarks: Philips Warranty 3 years.

All rights reserved.
The specification of the products may be changed for improvement without notice.

Beam angle 42°



Beam angle 27°

